

## Instructions

Motion Detector Board

Model No. **WJ-HDB501**

Before attempting to connect or operate this product, please read these instructions carefully and save this manual for future use.

### WARNING:

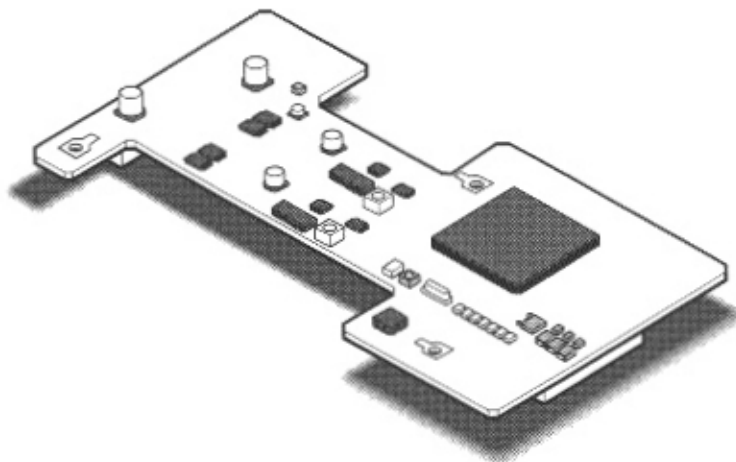
- All work related to the installation of this product should be made by qualified service personnel or system installers.

### ■ General

The Motion Detector Board WJ-HDB501 is installed exclusively into the Digital Disk Recorder WJ-HD500. The board detects motions in the image, and generates an alarm that lets the Digital Disk Recorder start alarm recording. Read the operating instruction included in the Disk Recorder for details.

### ■ Precautions

- Unplug the power cord from the WJ-HD500 before installing the board.
- Avoid shock and vibration  
Shock or vibration may damage the board while operating or not operating.
- Pay attention to static electricity  
Make certain to keep the board inside the antistatic sack unless it is installed.  
Put your hand on a metallic surface, other than the board, to discharge static electricity before installation.  
Do not touch components mounted on the board directly with hand.  
Hold only both sides of the board when installing.

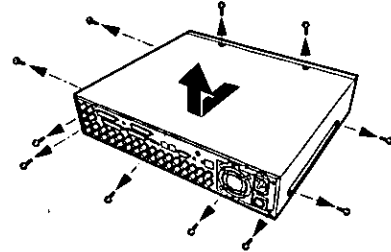


# ■ Installation

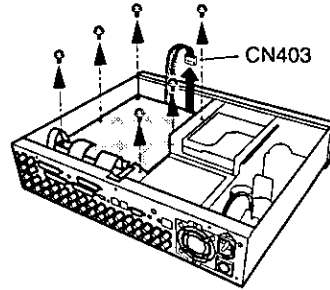
**1** Unplug the power cord from the WJ-HD500 Digital Disk Recorder, or disconnect the plug from the AC outlet.

**2** Loosen 11 screws as shown, then remove the top cover of the WJ-HD500.

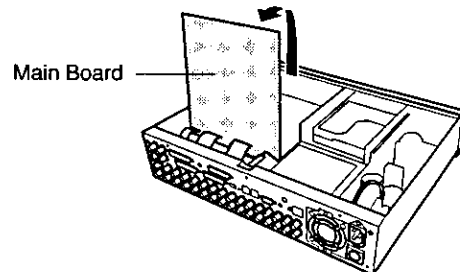
Disk Recorder  
WJ-HD500



**3** Loosen 6 screws, and disconnect the CN403.



**4** Pull up the main board as shown.



**5** Place the Motion Detector Board.

5-1 Place the Motion Detector Board on to the analog board.

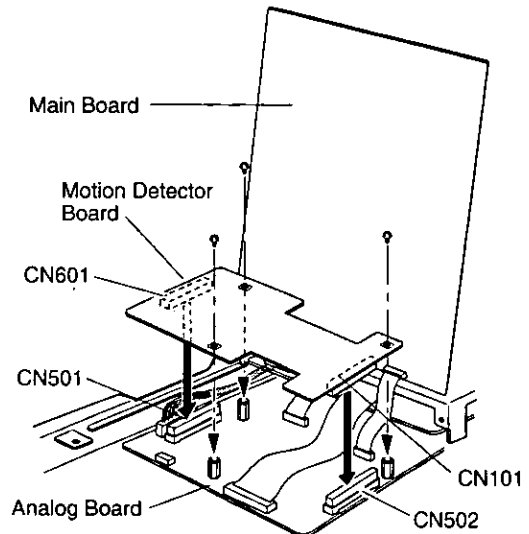
5-2 Press the board so that the connectors are firmly joined; CN101 with CN502, and CN601 with CN501.

5-3 Fix the Motion Detector Board with 3 screws (supplied).

**6** Replace the top cover.

6-1 Replace the CN403 and main board as before.

6-2 Replace the top cover as before.



## ■ Specifications

Required Power:	DC +3.5 V/5 V (Supplied from WJ-HD500)
Power Consumption:	81 mA at 5 V, 14 mA at 3.3 V
Operating Temperature:	From +5°C (41°F) to +45°C (113°F)
Weight:	80 g (0.18 lbs)
Video Input:	1 V[p-p] x 16 Channel, Composite Video
Detection Period:	3-field x Numbers of Channel in use
Detection Area:	4 Areas/Channel
Detection Sensitivity:	High/Middle/Low

Weight and dimensions indicated are approximate.  
Specifications are subject to change without notice.

## ■ Accessory

Board Fixing Screw ..... 3 pcs

**Panasonic Security and Digital Imaging Systems Company  
A Division of Matsushita Electric Corporation of America**

**Executive Office:** One Panasonic Way 3E-7, Secaucus, New Jersey 07094

**Regional Offices:**

**Northeast:** One Panasonic Way, Secaucus, NJ 07094 (201) 348-7303

**Southern:** 1225 Northbrook Parkway, Suite 1-160, Suwanee, GA 30024 (770) 338-6838

**Midwest:** 1707 North Randall Road, Elgin, IL 60123 (847) 468-5211

**Western:** 6550 Katella Ave., Cypress, CA 90630 (714) 373-7840

**Panasonic Canada Inc.**

5770 Ambler Drive, Mississauga,  
Ontario, L4W 2T3 Canada (905)624-5010

**Panasonic Sales Company**

**Division of Matsushita Electric of Puerto Rico Inc.**

Ave. 65 de Infanteria, Km. 9.5  
San Gabriel Industrial Park, Carolina,  
Puerto Rico 00985 (809)750-4300